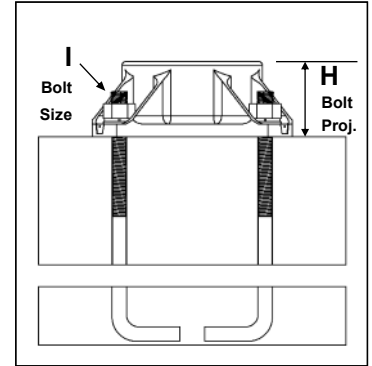
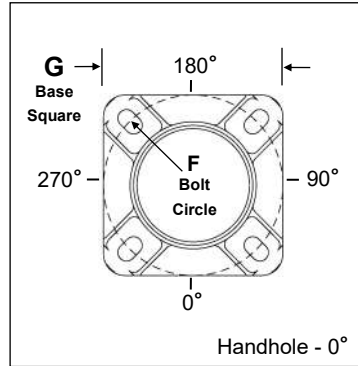
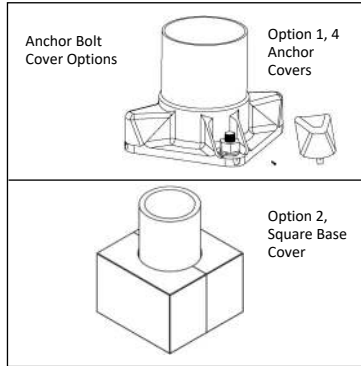
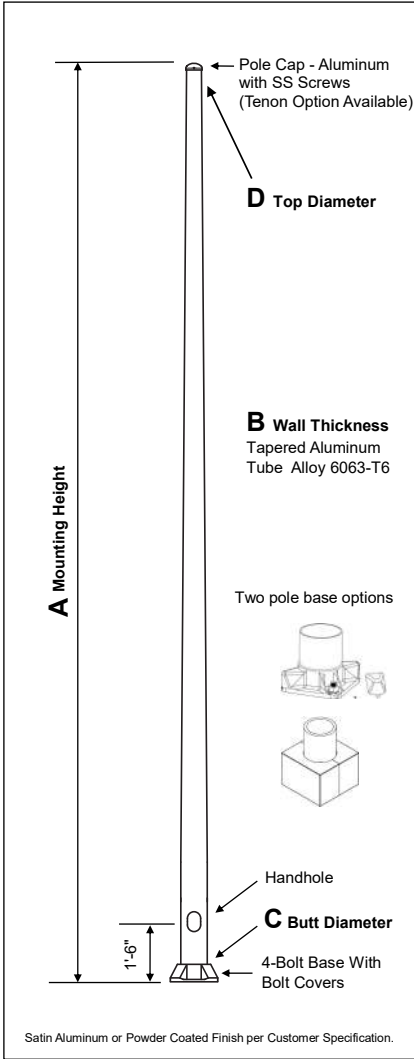


ROUND TAPERED ALUMINUM POLES

PPRTAH SERIES



C Butt Sq.	D Top Sq.	F Bolt Cir. Dia.	G Base Sq.	H Bolt Proj.	I Bolt Size
4	3	6.5-8	7.5	2	.75 x 17 x 3
5	3	7.5-8	7.5	2	.75 x 17 x 3
6	4.5	9-10	9.75	2.75	.75 x 30 x 3
7	4.5	10-11	10.5	2.75	1 x 36 x 4
8	4.5	11-12	11.25	2.75	1 x 36 x 4
9	4.5	12.5-14	12.75	2.75	1 x 36 x 4
10 (upto 0.250")	6	14-15	14	3.25	1 x 48 x 4
10 (0.312")	6	14-15	14	3.25	1.25 x 48 x 6

A MGT. HGT.	B WALL GAUGE	C BUTT SQ.	TOTAL LUM. WEIGHT	MAXIMUM EPA					PART NO
				90	100	110	120	130	
08	0.188"	4	100	17.2	13.8	12.8	10.6	8.8	PPRTAH08D4A4
10	0.188"	4	100	12.6	10.0	9.2	7.4	6.2	PPRTAH10D4A4
12	0.125"	5	100	12.6	10.0	9.2	7.4	6.0	PPRTAH12B5A4
14	0.156"	5	100	12.8	9.8	9.0	7.4	6.0	PPRTAH14C5A4
16	0.188"	5	100	12.6	9.8	9.0	7.2	5.8	PPRTAH16D5A4
18	0.156"	6	100	16.2	12.4	11.6	9.4	7.8	PPRTAH18C6B4
20	0.156"	6	100	13.2	10.0	9.2	7.4	6.2	PPRTAH20C6B4
20	0.188"	7	100	24.8	19.6	18.0	14.8	12.4	PPRTAH20D7B4
25	0.156"	7	100	13.0	9.8	9.0	7.2	5.8	PPRTAH25C7B4
25	0.188"	8	100	23.8	18.6	17.2	14.0	11.8	PPRTAH25D8B4
25	0.250"	8	100	32.8	25.8	24.0	19.8	16.6	PPRTAH25F8B4
30	0.188"	8	100	16.8	12.6	11.6	9.4	7.6	PPRTAH30D8B4
30	0.188"	9	100	23.2	18.0	16.6	13.6	11.4	PPRTAH30D9B4
35	0.219"	8	100	14.4	10.8	9.8	7.6	6.2	PPRTAH35E8B4
35	0.250"	9	100	24.4	19.0	17.4	14.2	11.8	PPRTAH35F9B4
35	0.250"	10	100	32.6	25.8	24.0	19.2	16.6	PPRTAH35F1C4
40	0.250"	9	100	18.2	13.8	12.6	10.2	8.2	PPRTAH40F9B4
40	0.250"	10	100	25.2	19.8	18.4	15.2	12.4	PPRTAH40F1C4

Pole Shaft

Shaft and arm is constructed of seamless extruded tube of 6063 Aluminum Alloy per ASTM B221. The shaft assembly is full-length heat treated after base is welded to produce a T6 temper. Powder coating material is thermosetting polyester powder. A minimum coating thickness of 2.0 mils is maintained for aluminum. Application of powder is electrostatically applied by a closed loop automated powder coating system.

Finish Options

01 = Satin Aluminum, BA = Black Powder Coat, BH = White Powder Coat
 BM = Dark Bronze Powder Coat, BV = Dark Green Powder Coat
 GC = Gray Powder Coat

4-Bolt Cast Aluminum Base Plate

4-Bolt Cast Aluminum Base Flange of Alloy 356-T6 with Aluminum Bolt Covers (Alloy 356-F) and Stainless Steel Hex Head Attaching Screws.

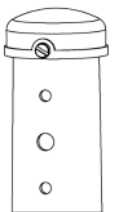
Hardware Kits

Include four (4) L-shaped Steel Anchor Bolts conforming to AASHTO M314-90 Grade 55. Ten Inches (10") of threaded end will be galvanized per ASTM A153. Kits will contain four (4) Hex Nuts, four (4) Lock Washers, and four (4) Flat Washers (all components Galvanized Steel). A bolt circle template will be provided.

MOUNTING OPTIONS

Side Drill Mount

Includes removable pole cap.



NOTE: A luminaire drilling template must be supplied at time of order.

Tenon Mount

Tenon Mount - Welded or Spun
 For Tenon Mount applications specify both Tenon diameter (2.375", 2.875", 3.5", etc.) and length (3", 4", etc.). Tenon style is factory option. Welded Tenon can be specified.

