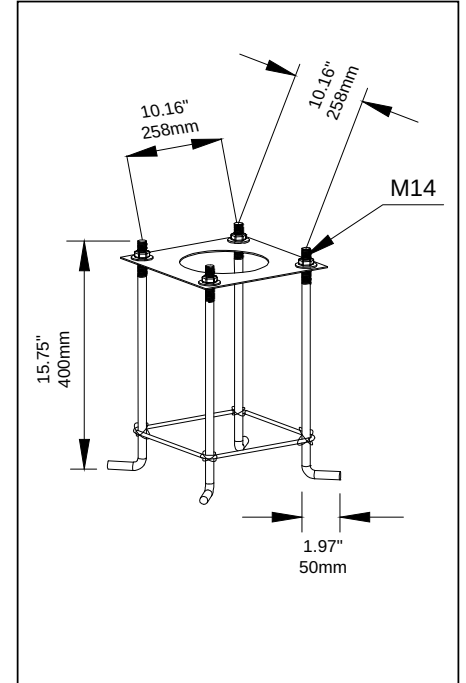
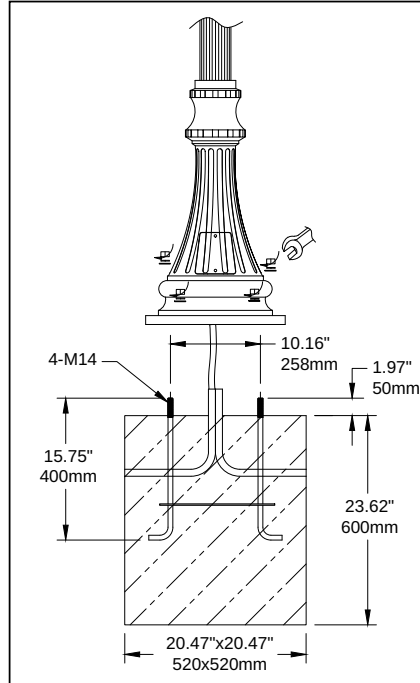
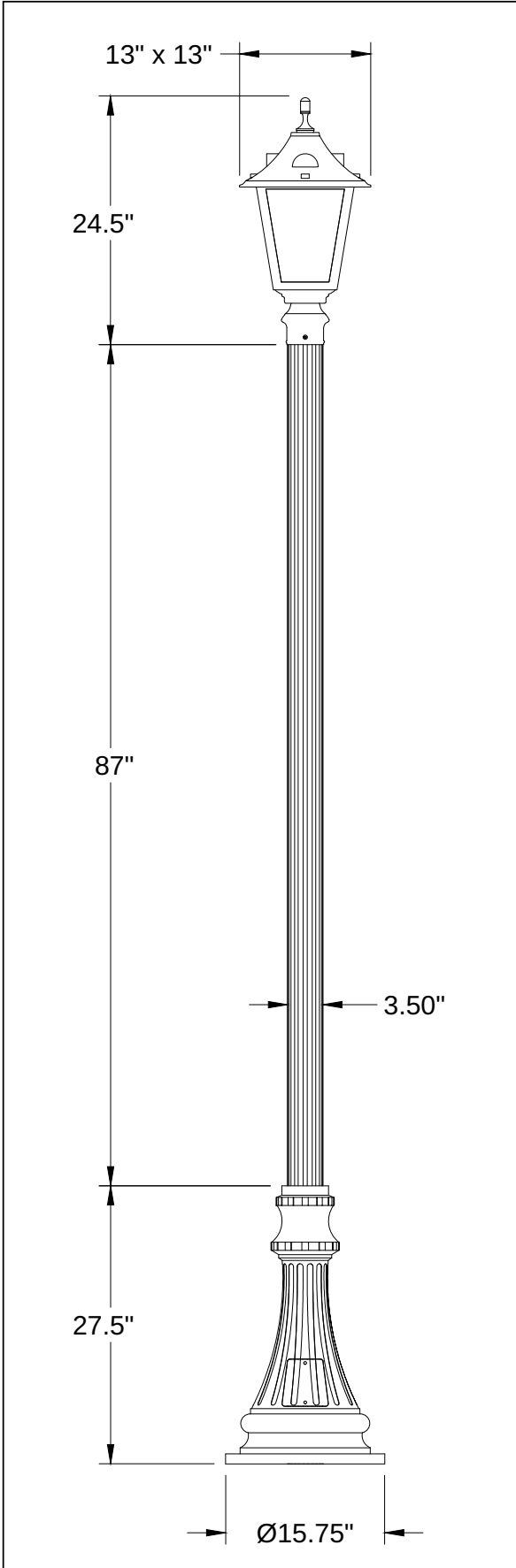


# LISBON - 12ft Decorative Light Pole and Fixture

# BRIGHTLOTS



## DESCRIPTION

**Pole:** Single piece, 6063 extruded aluminum. Fluted shaft. Heat treated T5. With tenon top to fit provided fixture.

**Pole Base:** Sand cast 6063 aluminum with access door. All hardware included. Single piece base, securely threaded to pole shaft.

**Fixture:** Die cast A380 aluminum housing with frost tempered glass, E39 mogul base. ETL certified. 110-240V/50Hz.

**LED Lamp:** Wattage and color adjustable UL, DLC Listed LED Lamp

**Installation Kit:** 4 galvanized anchor bolts, hex nuts, washers, square plate and square frame.

**Wind Rating:** 100 mph.

**Finish:** Black powder coat.

## DIMENSION

**Pole Shaft:** 87"

**Shaft OD:** 3.5"

**Shaft Wall thickness:** 0.1"

**Total Height:** 12'

**Base:** 27.5" x 15.75"

**Fixture:** 24.5" x 13" x 13"

**Bolt Circle:** 14.37"

**Bolt Square:** 10.16"x10.16"

**Anchor Bolts:** J Bolts

M14x15.75"x2"

## LUMINAIR

Sula 39-30 Series Corn Lamp

120-277AC 50-60Hz,

UL, DLC Listed

**Base:** E39

**Wattage adjustable:** 36W, 45W,

54W (4900-7800 Lumens)

**Color adjustable:** 3000K,

4000K, 5000K



## Pole Number: BL-005-29M-10W

